

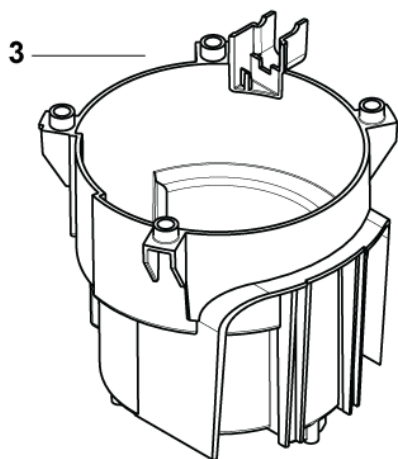
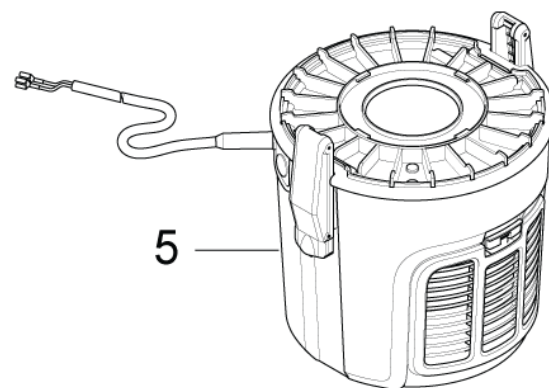
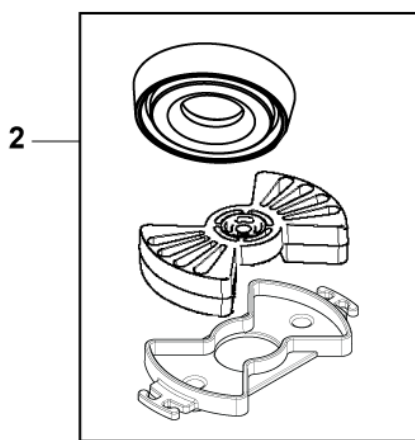
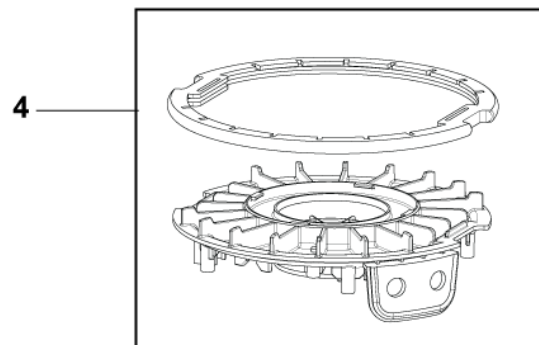
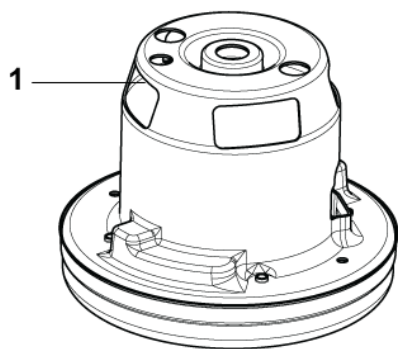


A VAC 2.2

Spare parts

TABLE OF CONTENTS

MOTOR AND MOTOR PARTS.....	4
CONTAINER PARTS.....	6
ELECTRIC PARTS.....	8
HARNESS PARTS.....	10
FILTERS.....	12
HOSE Ø 1.5 Inch, 38 mm and Tools.....	14



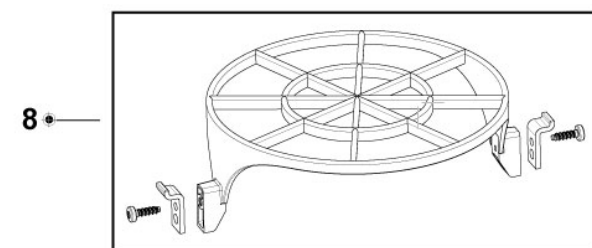
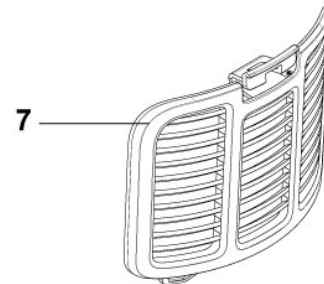
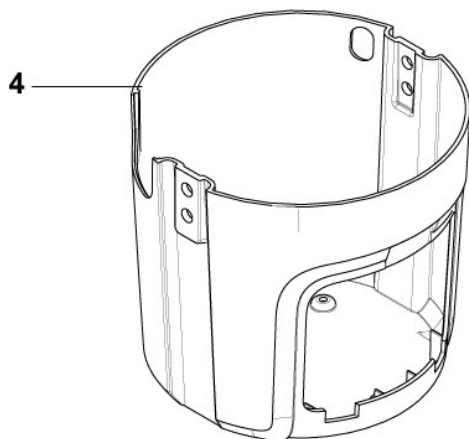
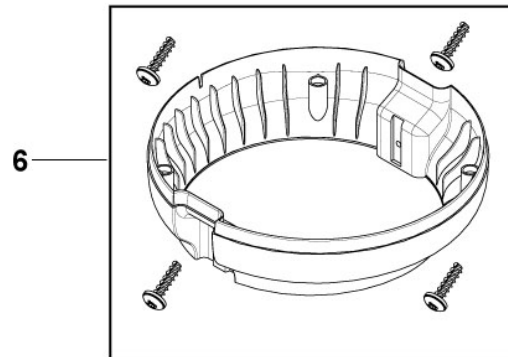
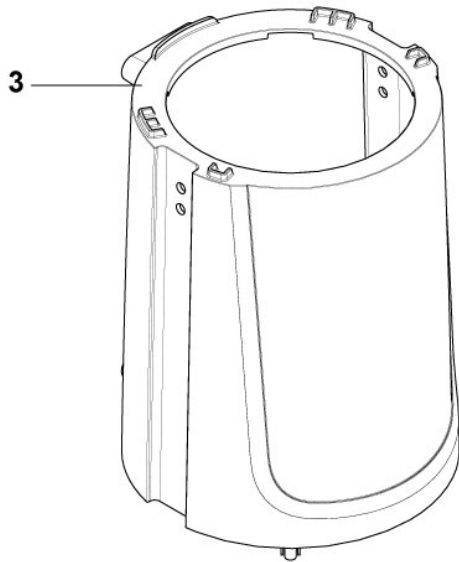
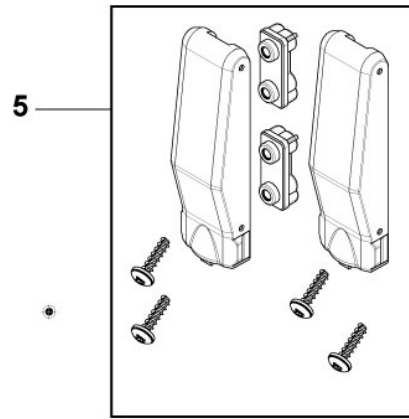
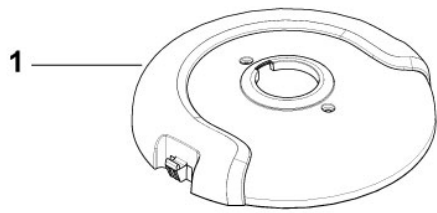
MOTOR AND MOTOR PARTS

A X06 2.2

2011.10.07

2014.06.27

No.	Part No.	Qty.	Description	Part Note
1	147 1109 500	1	FAN UNIT 100-120V 1300W	
2	147 1111 500	1	MOTOR SUSPENSION KIT	
3	147 1088 510	1	MOTOR COVER UL	
4	147 1086 510	1	CHASSIS DARK GREY UL	
5	147 1245 500	1	MOTOR UNIT US 110-120V 1300W	



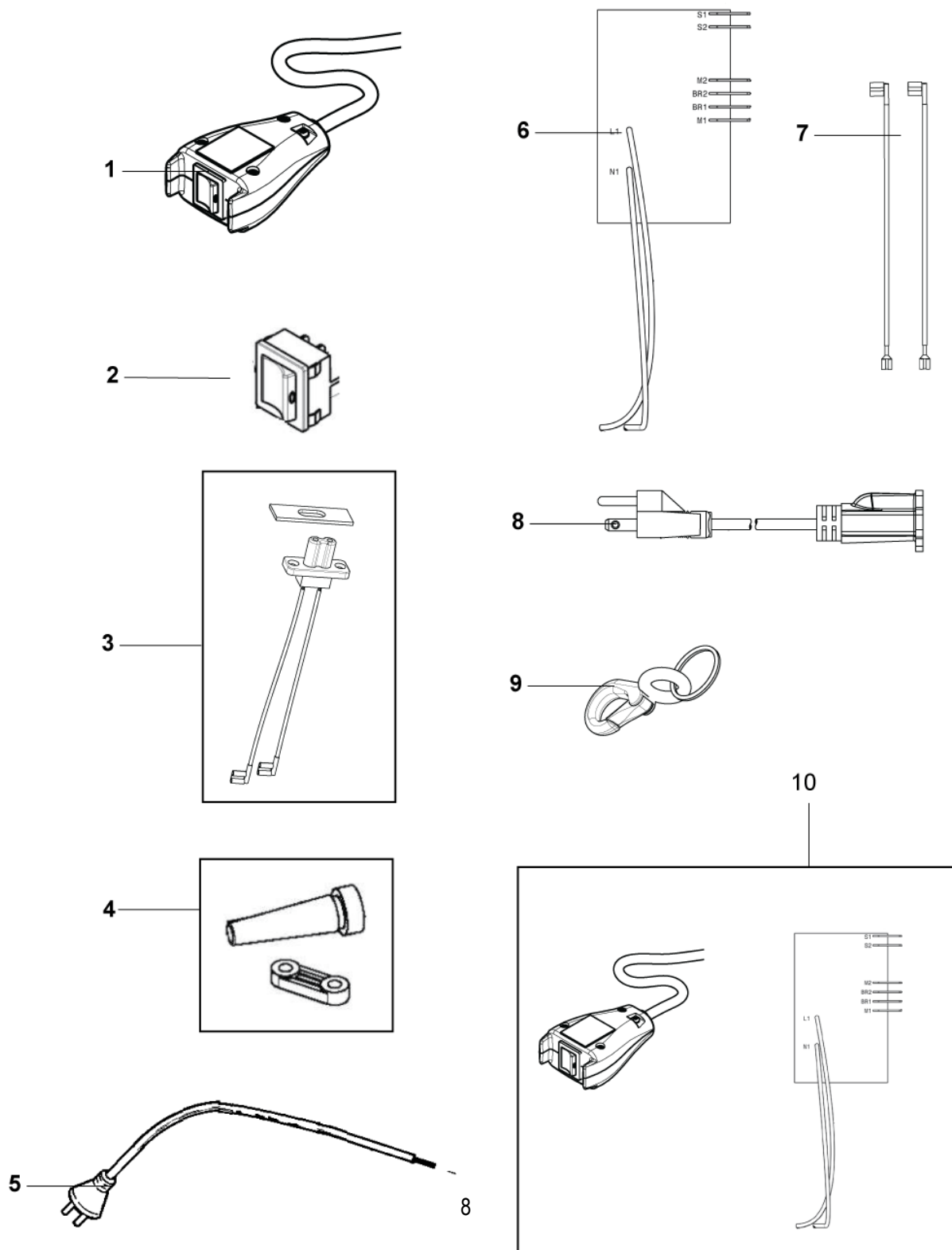
CONTAINER PARTS

A X00 2.2

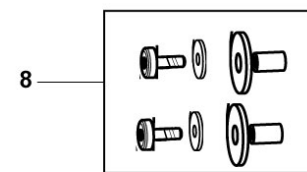
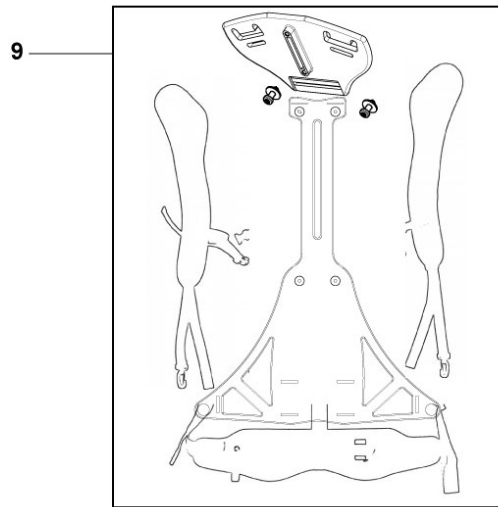
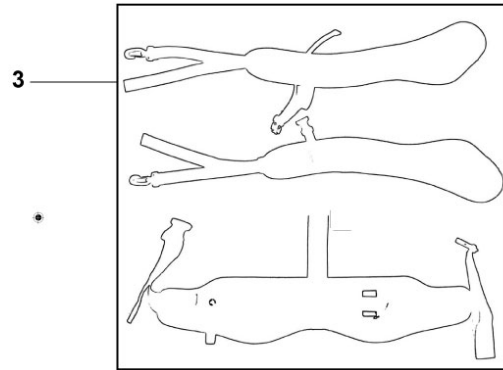
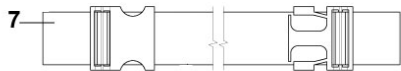
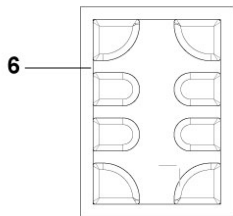
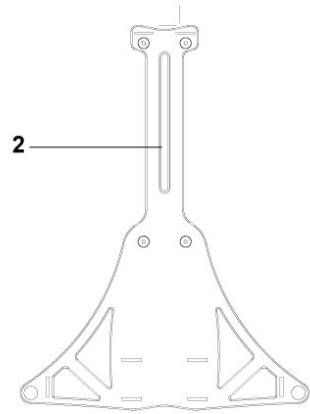
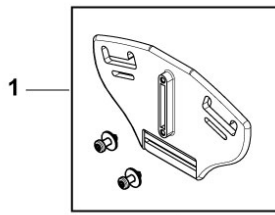
2011.10.07

2014.06.27

No.	Part No.	Qty.	Description	Part Note
1	147 1080 500	1	OUTER LID 10 L LIGHT GREY	
3	147 1079 510	1	CONTAINER 10L ALTO BLUE	
4	147 1075 520	1	COVER OUTER DARK GREY UL	
5	147 1101 500	1	LATCH KIT	
6	147 1078 500	1	ADAPTOR 10L LIGHT GREY	
7	147 1082 500	1	GRID EXHAUST DARK GREY	
8	147 1115 500	1	BASKET SACK FILTER	



No.	Part No.	Qty.	Description	Part Note
1	107402274	1	SWITCH COMPLETE	
2	140 5496 510	1	SWITCH UL KIT	
4	140 7035 510	1	PROTECTION SLEEVE US KIT	
5	140 3859 500	1	CORD SET US	
6	107402276	1	CIRCUIT BOARD 100-120V	
7	140 7042 520	1	INTERNAL WIRE KIT	
8	147 1243 500	1	CORD EXTENSION 15M US	
9	147 1346 500	1	ANTI STRAIN CLIP CPL.	
10	107402257	1	PCB CORD AND SWITCH KIT 120V	



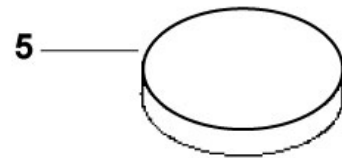
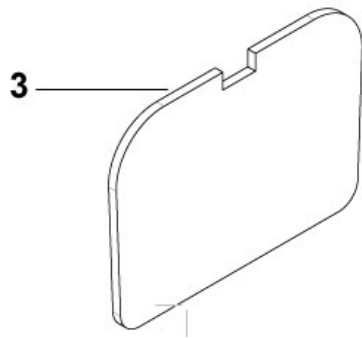
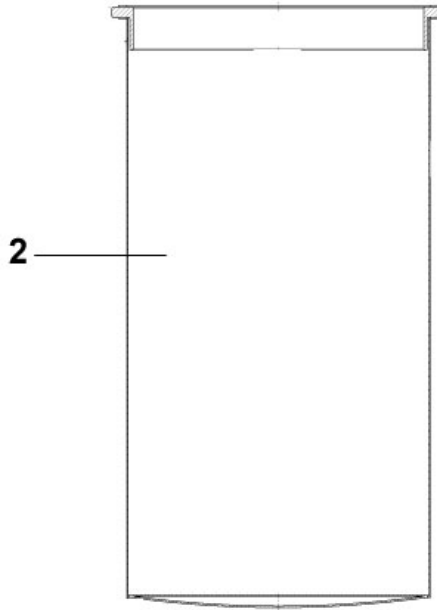
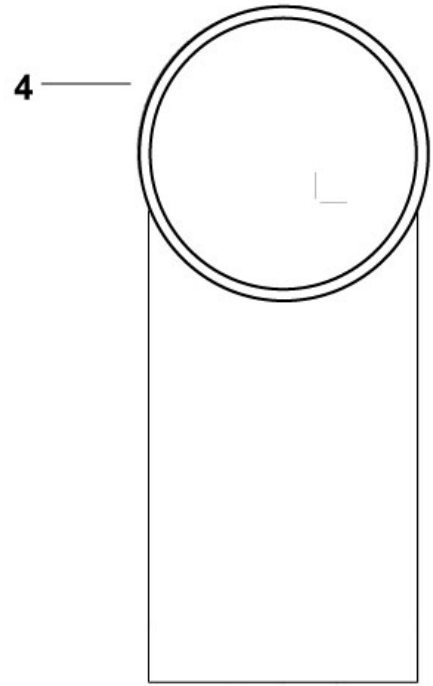
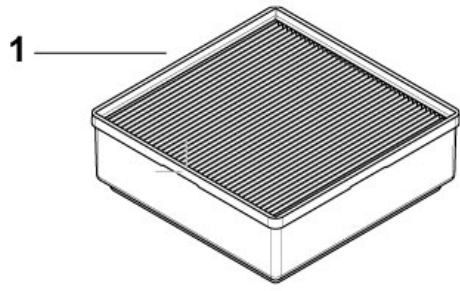
No.	Part No.	Qty.	Description	Part Note
1	147 1092 500	1	ADJUSTING PLATE	
2	147 1091 500	1	HARNESS SUPPORT	[1]
3	147 1246 500	1	HARNESS PREMIUM	
5	147 1247 500	1	LIFTING STRAP	
6	147 1248 500	1	PADDING BACK PLATE	
7	147 1249 500	1	EXTENTION BELT	
8	147 1246 600	1	SCREW KIT	
9	147 1246 510	1	HARNESS PREMIUM CPL	

Part Notes:

[1] - Only to be used for machines produced after June 25th 2012. For older machines use 147 1246 510 or 147 1090 510

Resource notes:

Note * Only to be used for machines produced after June 25th 2012. For older machines use 147 1246 510 or 147 1090 510



FILTERS

A X00 2.2

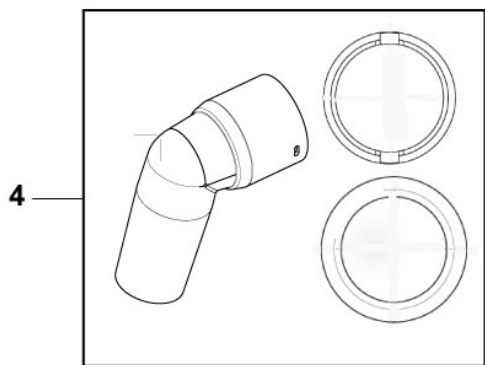
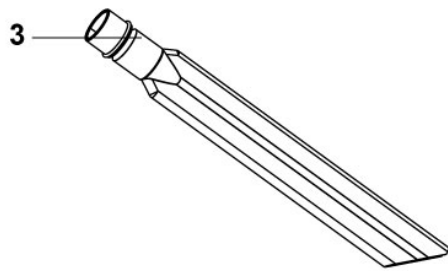
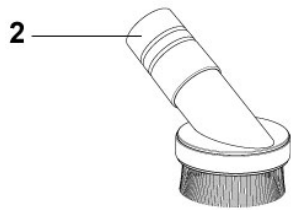
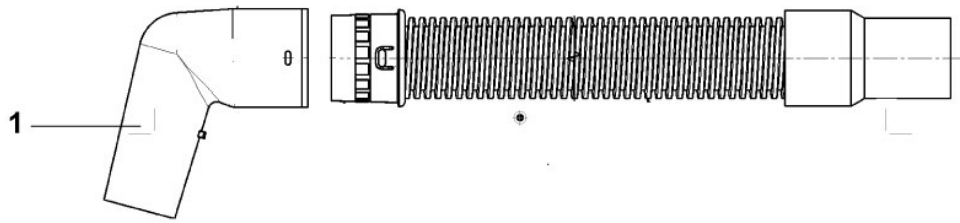
2011.10.07

2014.06.27

No.	Part No.	Qty.	Description	Part Note
1	147 1104 500	1	HEPA FILTER	
2	147 1099 500	1	SACK FILTER	
3	147 1089 500	1	EXHAUST FILTER	
4	147 1097 500	1	DUST BAG KIT 10L 5-PCS	
4a	147 1097 510	1	DUST BAG KIT 10L 10-P	[1]
5	147 1095 500	1	PRE FILTER	

Part Notes:

[1] - with pre-filter



HOSE Ø 1.5 INCH, 38 MM AND TOOLS

A X 02.2

2011.10.07

2014.06.27

No.	Part No.	Qty.	Description	Part Note
1	147 1237 510	1	HOSE CPL.L1650MM	
2	147 1385 500	1	DUST TOOL	
3	147 1386 500	1	CREVICE TOOL	[1]
4	147 1085 500	1	HOSE COUPLING CPL.	

Part Notes:

[1] - PRUNED ACCESSORY



American Sanders
an AMANO Company

1 Eclipse Rd ● PO Box 909
Sparta, North Carolina 28675 ● USA
www.pioneereclipse.com
www.americansander.com

+1-336-372-8080
1-800-367-3550
Fax 1-336-372-2913