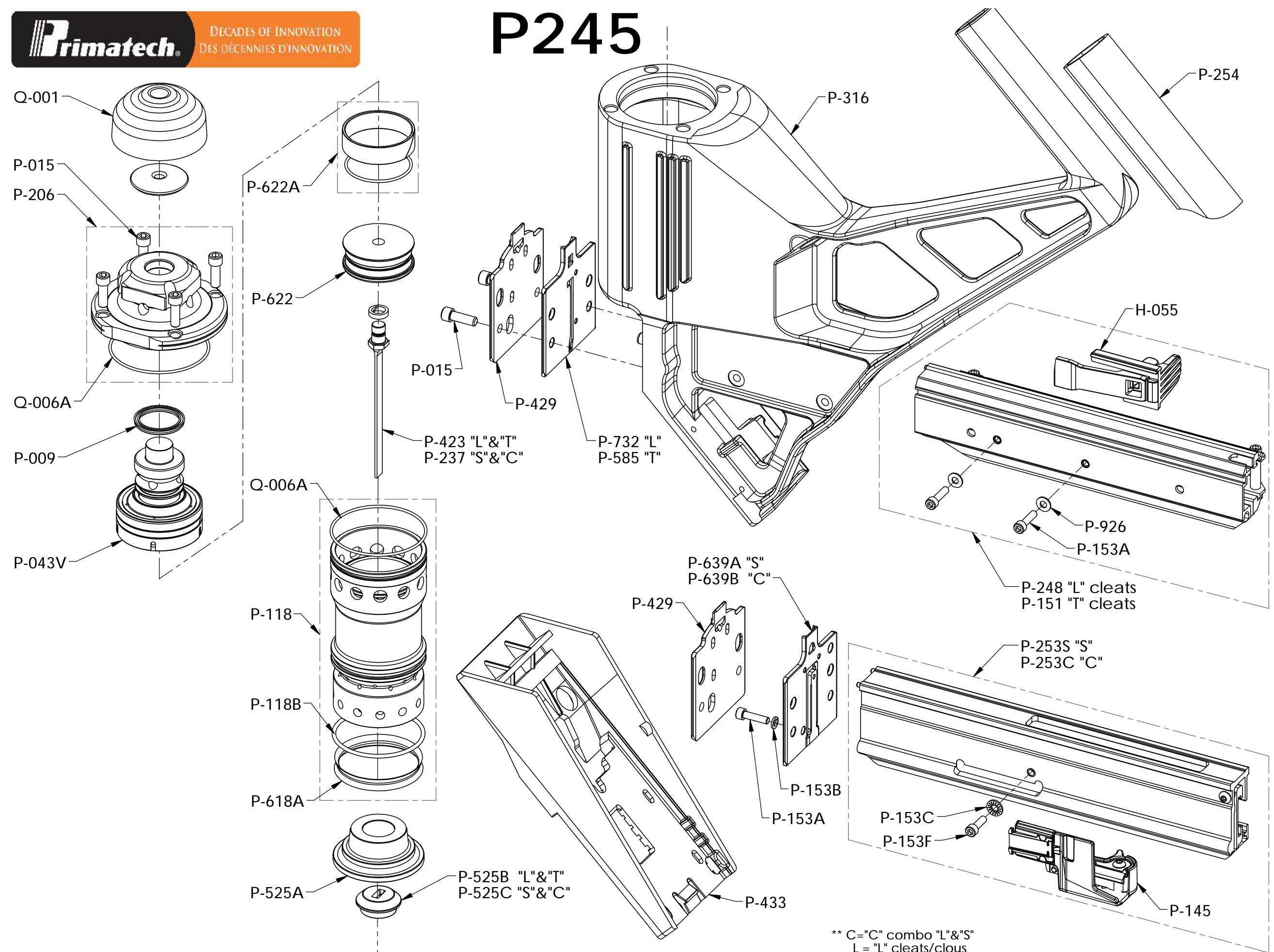


P245



** C="C" combo "L"&"S"
L = "L" cleats/clous
S = staples/agrafes
T = "T" cleats/clous

Parts list at / Liste de pièces
<http://support.primatech.ca>